



OWNER'S MANUAL

- Please read this Owner's Manual carefully before operation.
- Save this manual on a safe place for future reference.

WiFi
Option
EAEM



**REMOTE CONTROL
SPLIT AIR CONDITIONER**

EAEM

Register your product at
www.ecoxline.com
ecoxline



CONTENTS

- 3** REMOTE Control SPECIFICATION
- 3** PERFORMANCE FEATURES
- 4** FEATURES OF THE REMOTE Control BUTTONS
- 6** INDICATORS ON DISPLAY PANEL
- 7** OPERATING THE REMOTE Control
- 11** WARNING

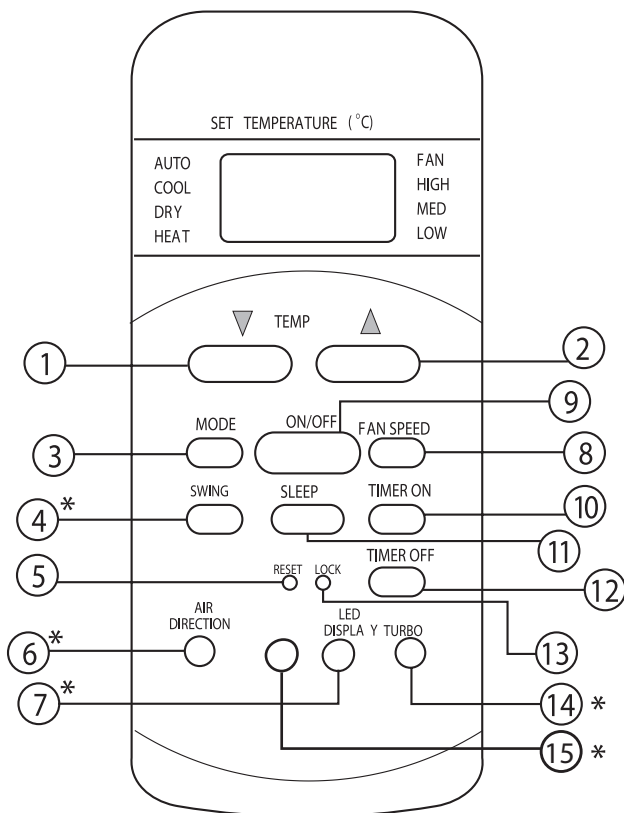
REMOTE CONTROL SPECIFICATIONS

MODEL	R51M/(C)E, R51M/BG(C)E, RG51M2/(C)E, RG51A/(C)E, RG51M3/(C)E, RG51M3/BG(C)E, RG51M8/(C)E, RG51M9/(C)E, RG51M/BGE-IN
Rated Voltage	3.0V (Dry batteries LR03 X 2)
Minimum Voltage	2.0V
Transmission Distance	with 2.0 V: 8 m. / 26 ft. with 3.0 V: 11 m. / 36 ft.
Environment	-5° C ~ 60° C / 23° F ~ 140° F.

PERFORMANCE FEATURES

- 1 Operating Mode: AUTO, COOL, DRY, HEAT (In the only cooling model, do not have heat) and FAN.
- 2 Timer Setting Function in 24 hours.
- 3 Indoor Setting Temperature Range 17° C ~ 30° C / 63° F ~ 86 ° F.
- 4 Full function of LCD (liquid Crystal Display).
- 5 Display backlight (only available in R51 M / MB (C) E models).

FEATURES OF REMOTE CONTROL BUTTONS



Note:

*: Indicates optional buttons.

14* and 15* buttons are not available for models RG51M2/(C)E.

7*, 14* and 15* buttons are not available for models RG51M3/(C)E AND RG51M3/BG(C)E.

15* Button is not available for models RG51M3/(C)E and RG51M3/BG(C)E.

4*, 6*, 7*, 14*, 15* buttons are not available for models RG51M9/(C)E.

6*, 7*, 14*, 15* buttons are not available for models RG51M9/(C)E.

FIG. 1

- 1** **TEMP Button ▼**: Push this button to decrease the indoor temperature setting.
- 2** **TEMP Button ▲**: Push this button to increase the indoor temperature setting.
- 3** **MODE Selection Button**: Each time the button is pressed, the operation mode is shifted in the direction of the arrow.





NOTE

Please do not select HEAT mode lithe machine you purchased is cooling only type. Heat mode is not supported by the cooling only appliance.

- 4 SWING Button:** Push this switch button to activate auto swing feature of the horizontal louver. Push it again to stop.
- 5 RESET Button:** When you press the recessed **RESET** button, all current settings are cancelled and the control will return to the initial settings.
- 6 AIR DIRECTION Button:** Press this button to change the swing angle of the louver. The swing angle of the louver is 6° for each press. When the louver swing at a certain angle which would affect the cooling and heating effect of the air conditioner, it would automatically change the swing direction. No symbol will appear in the display area when press this button.
- 7 LED DISPLAY Button:** Press this button to clear the digit display in the air conditioner, press it again to illuminate (Not available for the units without LED display window).
- 8 FAN SPEED Button:** Used to select the Fan Speed in four steps **AUTO, LOW, MED** or **HIGH**. Each time the button is pressed, the fan speed mode is shifted.
- 9 ON/OFF Button:** Push this button to start operation, push the button again to stop operation.
- 10 TIMER ON Button:** Press this button to initiate the auto-on time sequence. Each press will increase the auto-timed setting in 30 minutes increments. When the setting time displays 10 h, each press will increase the auto-timed setting 60 minutes increments. To cancel the auto-timed program, simply adjust the auto-on time to 0.0.
- 11 SLEEP Button:** Press this button to go into the Energy-Saving operation mode. Press it again to cancel. This function is only can be used on **COOL, HEAT** and **AUTO** mode and maintain the most comfortable temperature for you.



NOTE

While the unit is running under **SLEEP** operation mode, it would be canceled if you press the **MODE, FAN SPEED** or **ON/OFF** button.

- 12 TIMER OFF Button:** Press this button to initiate the auto-off time sequence. Each press will increase the auto-timed setting in 30 minutes increments. When the setting time displays 10 h, each press will increase the auto-timed setting 60 minutes increments. To cancel the auto-timed program, simply adjust the auto-off time to 0.0.

- 13 **LOCK Button:** When you press the recessed **LOCK** button, all current settings are locked in and the remote control does not accept any operation except that of the **LOCK**. Press again to cancel the **LOCK** mode.
- 14 **TURBO Button:** Push this button on **COOL** mode, the air conditioner goes into powerful cooling operation. Push again to cancel the **TURBO** function (Not available for the air conditioner without **TURBO** function).
- 15 **CLEAN AIR Button (on Some models):** When push this button, the Ionizer or Plasma Dust Collector (depending on models) is energized and will help to remove pollen and impurities from the air.

INDICATOR ON DISPLAY PANEL

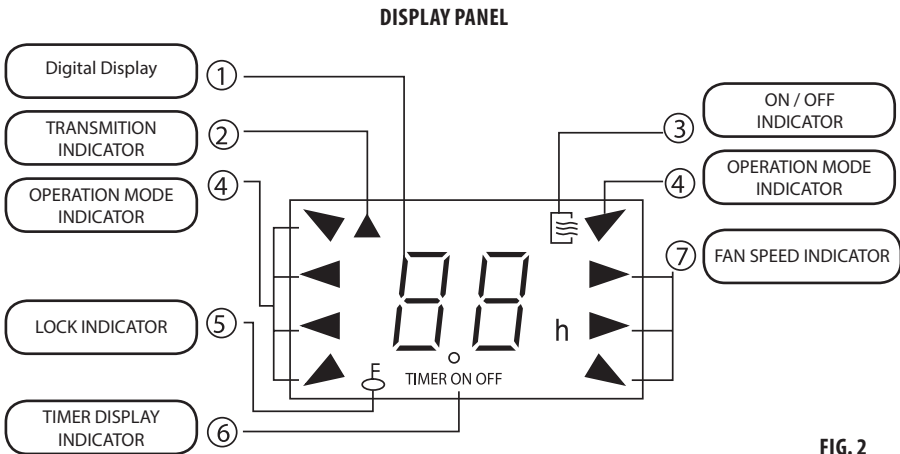


FIG. 2

- 1 **DIGITAL DISPLAY area:** This area will show the set temperature and. If in the **TIMER** mode, will show the **ON** and **OFF** settings of the **TIMER**. If in the **FAN** mode, nothing is appeared
- 2 **TRANSMISSION Indicator:** This Indicator flashes one time when remote control transmits signals to the indoor unit.
- 3 **ON/OFF Indicator:** This symbol appears when the unit is turned on by the remote control, and disappears when the unit is turned off

- 4 **OPERATION MODE Indicator:** When press the MODE button, it shows the current operating mode - "AUTO", "COOL", "DRY" "HEAT"(Cooling only model without) or "FAN" mode.
- 5 **LOCK Indicator:** LOCK display is displayed by pushing the LOCK button Push the LOCK button to clear display.
- 6 **TIMER DISPLAY Indicator:** This display area shows the settings of the **TIMER**. That is, if only the starting time of operation is set, it will display the **TIMER ON**. If only the turning off time of operation is set, it will display the **TIMER OFF**. If both operations are set, it will show **TIMER ON/OFF** which indicates you have chosen to set both the starting time and off time.
- 7 **FAN SPEED Indicator:** Press the **FAN SPEED** button to select the desired fan speed setting (Auto-Low-Med-High). You selection will be displayed in the LCD Window except the Auto fan speed.



NOTE

All signs shown in the Fig.2, is for the purpose of clear presentation. But during the actual operation only the relative functional signs are shown on the display panel.

OPERATING THE REMOTE CONTROL

INSTALL/REPLACE BATTERIES

The Remote Control uses two alkaline dry batteries (LR03X2).

- 1 To install the batteries, slide the back cover of the battery compartment and install the batteries according the direction (+and -) shown on the Remote Control.
- 2 To replace the old batteries, use the same method as mentioned above.



NOTE

- 1 When replacing batteries, do not use old batteries or a different type battery. This may cause the remote control to malfunction.
- 2 If you do not use the remote control for several weeks remove the batteries. Otherwise battery leakage may damage the remote control.
- 3 The average battery life under normal use is about 6 months.
- 4 Replace the batteries when there is no answering beep from the indoor unit or if the Transmission Indicator light fails to light.
- 5 Do not dispose batteries as unsorted municipal waste. Collection of such waste separately for special treatment is necessary.

AUTOMATIC OPERATION

Switch on the power and the **OPERATION** indication lamp on the display panel of the indoor unit starts flashing, and turns off after flashes for 6 times.

- 1 Use the **MODE** button to select **AUTO**.
- 2 Push the **TEMP** button to set the desired temperature within a range of 17° C ~ 30° C / 63° F ~ 86° F.
- 3 Push the **ON/OFF** button to start the air conditioner. The **OPERATION** lamp on the display panel of the indoor unit lights. The **FAN SPEED** is automatically set and there are no fan speed indicators shown on the display panel of the remote control.
- 4 Push the **ON/OFF** button again to stop the unit operation.



NOTE

- 1 In the **AUTO** mode, the air conditioner can logically choose the mods of **COOL**, **FAN** and **HEAT** by sensing the difference between the actual ambient room temperature and the set temperature on the remote control.
- 2 If the **AUTO** mode is not comfortable for you, the desired mode can be selected manually.

COOL / HEAT (COOLING ONLY MODEL WITHOUT) AND FAN OPERATION

- 1 If the **AUTO** mode is not comfortable, you may manually over-ride the settings by using **COOL**, **HEAT** or **FAN** modes
- 2 Push the **TEMP** button to set the desired temperature within a range of 17° C ~ 30° C / 63° F ~ 86° F.
- 3 Push the **FAN SPEED** to select the **FAN** mode of **AUTO**, **HIGH**, **MED** or **LOW**.
- 4 Push the **ON/OFF** button, the operation lamp lights and the air conditioner starts to operate as your settings. Push the **ON/OFF** button again to stop this unit operation.



NOTE

The FAN mode cannot be used to control the temperature. While in this mode, only steps 1, 3 and 4 may be performed.

DRY OPERATION

- 1 Push the MODE button to select DRY
- 2 Push the TEMP button to set the desired temperature within a range of 17° C ~ 30° C / 63° F ~ 86° F.
- 3 Push the ON/OFF button, the OPERATION lamp lights and the air conditioner starts to operate in DRY mode at LOW fan speed Push the ON/OFF button again to stop this unit operation.



NOTE

Due to the difference of the set temperature of the unit and the actual indoor temperature, the Air Conditioner when in **DRY** mode will automatically operate many times without running the **COOL** end **FAN** mode.

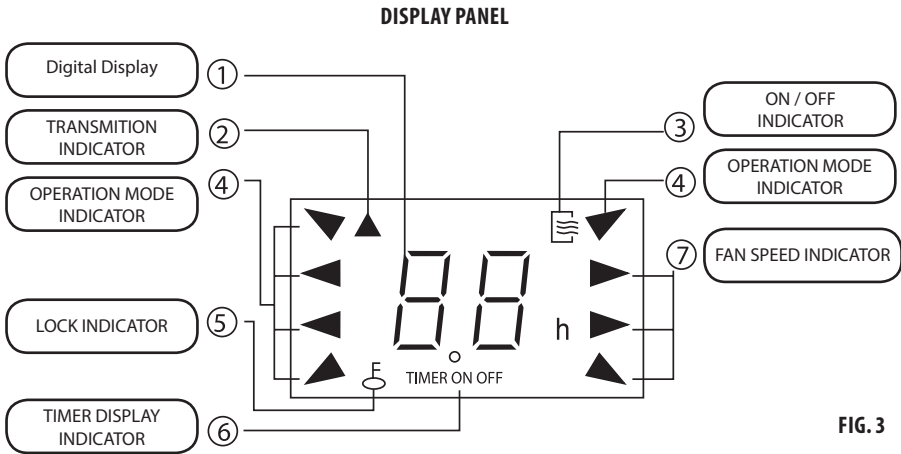


FIG. 3

TIMER OPERATION

Push **TIMER ON** button to set the auto-on time and **TIMER OFF** button to set the auto-off time.

1 To set the starting time.

1.1 Push the **TIMER ON** button, then the remote control shows **TIMER ON** the last set time for the starting operation and the signal "h" will be shown on the **DIGITAL DISPLAY** area. You are now ready to reset the time to **START** the operation.

1.2 Push the **TIMER ON** button again to set the desired unit start time.

1.3 After setting the **TIMER ON**, there will be a one-half second delay before the remote control transmits the signal to the air conditioner. Then, after approximately another 2 seconds, the signal "h" disappears and the set temperature will re-appear on the digital display.

2 To set the stopping time.

2.1 Push the **TIMER OFF** button and the remote control will show **TIMER OFF** the last set time for the stopping operation and the signal "h" will be shown on the **DIGITAL DISPLAY** area. You are now ready to reset the time of the **STOP** operation.

2.2 Push the **TIMER OFF** button again to set the time you want to stop the operation.

2.3 After setting the **TIMER OFF**, there will be a one-half second delay before the remote control transmits the signal to the air conditioner. Then, after approximately another 2 seconds, the signal "h" disappears and the set temperature will re-appear on the digital display.

3 Set the starting & stopping time.

- 3.1 Push the **TIMER ON** button, the remote control will show **TIMER ON**, the last set time for **START** operation and the signal "h" will be shown on the **DIGITAL** display area. You are now ready to readjust the **TIMER ON** to start the operation.
- 3.2 Push the **TIMER ON** button again to set the time you want to start the operation
- 3.3 Push the **TIMER OFF** button, the remote control will show **TIMER OFF**, the last set time for **STOP** operation and the signal "h" will be shown on the **DIGITAL** display area. You are now ready to reset the time to **STOP** operation.
- 3.4 Push the **TIMER OFF** button again to set the time you want to & stop the operation.
- 3.5 After setting the **TIMER**, there will be a one-half second delay before the remote control transmits the signal to the air conditioner. Then, after approximately another 2 seconds, the signal "h" disappears and the set temperature will re-appear on the digital display.

Change the **TIMER**

- To change the **TIMER ON/OFF** time. Just press the corresponding **TIMER** button and reset the time.
- To cancel the **TIMER ON/OFF** setting just adjust the **TIMER** time to 0.00.



NOTE

The setting time is relative time. That is the time set is based on the delay of the current time.



WARNING

- 1 Be sure there are no obstacles between the remote control and the receiver of indoor unit otherwise the air conditioner will not work.
- 2 Keep the Remote Control away from any liquids.
- 3 Protect the remote control from the high temperatures and exposure to radiation.
- 4 Keep the indoor receiver out of direct sunlight or the Air Conditioner may malfunction.
- 5 Keep Remote Control away from EMI (Electro-Magnetic Interference) supplied by other household appliances.

