

REMOTE CONTROLLER MANUAL

Thank you for purchasing this ecox product
Before using this machine, please read this manual and retain it for
future reference.

NPTC / EPTC



CONTENTS

3	HANDLING THE REMOTE CONTROL
3	Location of the remote control
3	Replacing batteries
4	REMOTE CONTROL SPECIFICATIONS
4	PERFORMANCE FEATURES
4	FUNCTION BUTTONS
8	HOW TO USE THE FUNCTIONS
8	Auto operation
8	Cooling/Heating/Fan operation
9	Dehumidifying operation
9	Swing operation
9	Timer operation
11	ECO operation



CAUTIONS

- *Keep running condition your air conditioning performing at least every six months clean the filters, coils and fans.*
- *Keep in good working control systems, such as the thermostat.*
- *The comfort temperature is between 21° C and 23° C, holding the temperature within this range will help the team save more energy.*
- *Do not place the thermostat near spotlights, lamps or heat-producing appliances and the operation of the system may be inadequate and / or poor.*
- *When using the air conditioner keep doors and windows closed in conditioned environments in order to keep out hot outside air.*
- *If the area where the air conditioner is going to remain idle, shut down your computer for saving energy.*
- *In unconditioned spaces should reduce the heat load introduced by excessive lighting or equipment remain on unnecessarily.*

HANDLING THE REMOTE CONTROL

LOCATION OF THE REMOTE CONTROL

- Use the remote control within a distance of 8 meters from the indoor unit, pointing it towards the receiver. Reception is confirmed by a “beep” sound.



PRECAUTION

- *The air conditioner will not operate if curtains, doors or other materials block the signals from the remote control to the indoor unit.*
 - *Prevent any liquid from falling into the remote control. Do not expose the remote control to direct sunlight or heat.*
 - *If the infrared signal receiver on the indoor unit is exposed to direct sunlight, the air conditioner may not function properly. Use curtains to prevent direct sunlight exposure.*
- If other electrical appliance reacts to the remote control, either move these appliances or consult your local distributor.*

REPLACING BATTERIES

The remote control is powered by two dry batteries (R03/LR03X2) or (2 x AAA) housed in the back of the remote control.

- 1** Remove the cover by pressing and sliding off.
- 2** Remove the old batteries and insert the new ones, placing the (+) and (-) ends correctly.
- 3** Reattach the cover by sliding it back into position.



NOTE

When the batteries are removed, the remote control erases all programming. After inserting new batteries, the remote control must be reprogrammed.



CAUTION

- *Do not mix old and new batteries or batteries of a different type.*
- *Do not leave the batteries in the remote control if it will not be in use during the next 2 months.*
- *Dispose of old batteries in special containers for proper disposal.*

REMOTE CONTROL SPECIFICATIONS:

Model	RG51Q1/BGE
Voltage	3.0V
Lowest voltage of CPU emitting Signal	2.0V
Signal Receiving Range	8m (26 feet)
Environment	-5° C to 60° C / 23° F to 140° F

PERFORMANCE FEATURE

- 1 Operating Mode: **AUTO, COOL, DRY, HEAT** (if applicable) and **FAN**
- 2 Timer Setting Function up to 24 hours.
- 3 Indoor Setting Temperature range: 17° C ~ 30° C / 63° F ~ 86° F.
- 4 Full Function of LCD (Liquid Crystal Display).



NOTE

- Buttons design might be slightly different from the actual model you have purchased.
- All the functions described are accomplished by the indoor unit. If the indoor unit does not have the selected feature, there will be no response from the unit.

FUNCTION BUTTONS

- 1 **TEMP ▼** : Push this button to decrease the indoor temperature setting.
- 2 **TEMP ▲** : Push this button to increase the indoor temperature setting.
- 3 **MODE Selection Button**: Each time the button is pressed, the operation mode is shifted in the direction of the arrow.



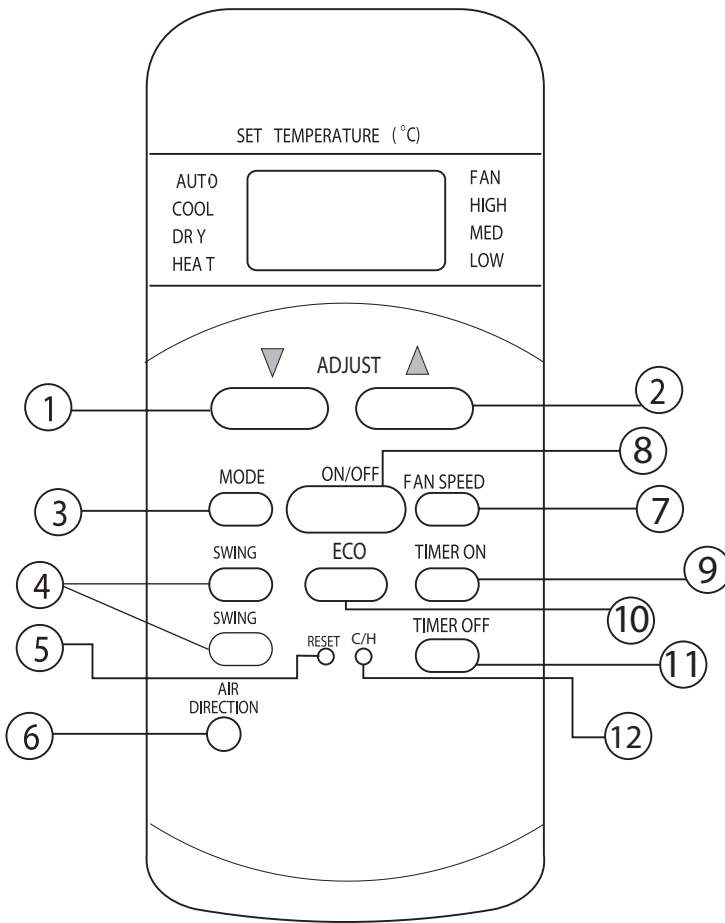


FIG. 1

- 4 SWING:** Push this button to activate auto swing feature of the horizontal louver. Push it again to stop.
- 5 RESET:** When you press the recessed RESET button, all current settings are cancelled and the control will return to the initial settings.
- 6 AIR DIRECTION:** Press this button to change the swing angle of the louver. The swing angle of the louver will increase by 6 for each press. When the louver swing at a certain angle which would affect the cooling and heating effect of the air conditioner, it would automatically change the swing direction. No symbol will appear in the display area when press this button.

- 7 **FAN SPEED:** Used to select the Fan Speed in four steps AUTO, LOW, MED or HIGH. Each time the button is pressed, the fan speed mode is shifted.
- 8 **ON/OFF:** Push this button to start operation, push the button again to stop operation.
- 9 **TIMER ON:** Press this button to initiate the auto-on time sequence. Each press will increase the auto-timed setting in 30 minutes increments. When the setting time displays 10 h, each press will increase the auto-timed setting 60 minutes increments. To cancel the auto-timed program, simply adjust the auto-on time to 0.0.
- 10 **ECO :** Press this button to go into the Energy-Saving operation mode. Press it again to cancel. This function can only be used on COOL, HEAT or AUTO mode.



NOTE

When running the SLEEP mode, pressing MODE, FAN SPEED or ON/OFF buttons will automatically cancel the SLEEP setting.

- 11 **TIMER OFF :** Press this button to initiate the auto-off time sequence. Each press will increase the auto-timed setting in 30 minutes increments. When the setting time displays 10 h, each press will increase the auto-timed setting 60 minutes increments. To cancel the auto-timed program, simply adjust the auto-off time to 0.0.
 - 12 **LOCK (on some models) :** When you press the recessed LOCK button, all current settings are locked in and the remote controller does not accept any operation except that of the LOCK. Press again to cancel the LOCK mode.
- C/H (on some models):** Press this button to shift models between cooling only and cooling & heating. If you purchased a cooling only machine, please press the button with a needle to shift operation mode.

INDICATORS ON LCD:

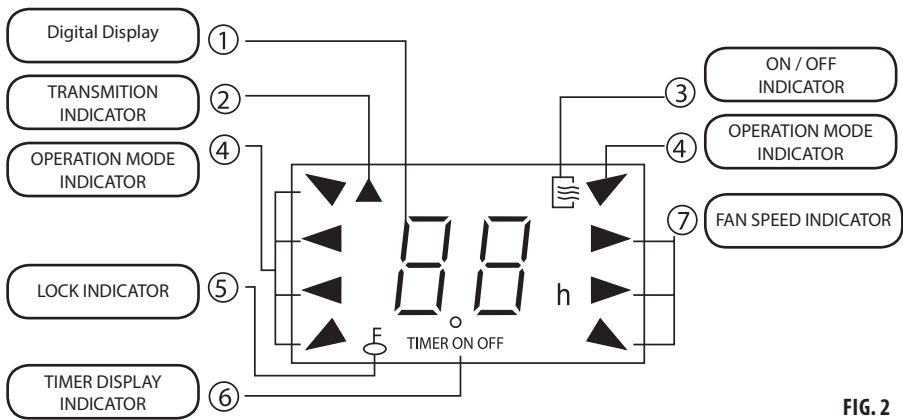


FIG. 2

- 1 DIGITAL DISPLAY area:** This area will show the set temperature when in COOL or HEAT mode. When the TIMER is set, the ON and OFF settings will be displayed. On FAN mode, no information will appear.
- 2 TRANSMISSION Indicator:** This Indicator flashes one time when remote control transmits signals to the indoor unit.
- 3 ON/OFF Indicator:** This symbol appears when the unit is turned on by the remote controller, and disappears when the unit is turned off.
- 4 OPERATION MODE Indicator:** When the MODE button is pressed, it shows the current operating mode - "AUTO", "COOL", "DRY", "HEAT"(Cooling only model without) or "FAN" mode.
- 5 LOCK Indicator:** LOCK display is displayed by pushing the LOCK button Push the LOCK button to clear display.
- 6 TIMER DISPLAY Indicator:** This display area shows the TIMER settings. That is, if only the starting time of operation is set, it will display the TIMER ON. If only the turning off time of operation is set, it will display the TIMER OFF. If both operations are set, it will show TIMER ON/OFF which indicates you have chosen to set both the starting time and off time.
- 7 FAN SPEED Indicator:** Press the FAN SPEED button to select the desired fan speed setting (Auto-Low-Med-High). Your selection will be displayed in the LCD window except when the AUTO mode is selected.

HOW TO USE THE FUNCTIONS:

AUTO OPERATION

Ensure the unit is plugged in and power is available. The OPERATION indicator on the display panel of the indoor unit illuminates.

- 1 Press the MODE button to select AUTO.
- 2 Press the TEMP button to set the desired temperature. The temperature can be set within a range of 17° C ~ 30° C / 63° F ~ 86° F, in 1° C / 2° F increments.
- 3 Press the ON/OFF button to start the air conditioner.



NOTE

- 1 *In the AUTO mode, the air conditioner can logically choose the mode of Cooling, Fan, Heating (if applies) and Dehumidifying by sensing the difference between the actual ambient room temperature and the set temperature on the remote control.*
- 2 *In the AUTO mode, fan speed may not be controlled.*
- 3 *If the AUTO mode is not comfortable to you, the desired mode can be selected manually.*

COOLING / HEATING/ FAN OPERATION:

Ensure the unit is plugged in and power is available.

- 1 Press the MODE button to select COOL, HEAT (if applies) or FAN.
- 2 Press the TEMP button to set the desired temperature. The temperature can be set within a range of 17° C ~ 30° C / 63° F ~ 86° F, in 1° C / 2° F increments.
- 3 Press the FAN SPEED button to select the fan speed in four steps, Auto, Low, Med (if applies) or High.
- 4 Press the ON/OFF button to start the air conditioner.



NOTE

While using the FAN Mode, the setting temperature does not appear in the remote control and the temperature may not be set. In this case, only steps 1, 3 and 4 may be performed.

DEHUMIDIFYING OPERATION:

Ensure the unit is plugged in and power is available. The OPERATION indicator on the display panel of the indoor illuminates.

- 1 Press the MODE button to select DRY mode
- 2 Press the TEMP button to set the desired temperature. The temperature can be set within a range of 17° C ~ 30° C / 63° F ~ 86° F, in 1° C / 2° F increments.
- 3 Press the ON/OFF button to start the air conditioner.







NOTE

In the Dehumidifying mode, you cannot switch the fan speed. It is automatically controlled.

SWING OPERATION:

Use the DIRECTION/SWING button to adjust the horizontal louver, use the SWING button to adjust the vertical louver.

- 1 Varies according to model:
Press DIRECTION / SWING  button, the louver changes 6° degrees in angle for each press. If hold for 2 seconds, the louver will swing up and down automatically. Press the SWING  button, the vertical louver will swing left and right automatically.
- 2 In other models, by pressing SWING, the louver will swing up and down automatically.
- 3 Pressing SWING  or  in other models, with horizontal or vertical louver will swing automatically. When AIR DIRECTION is pressed, the louver changes 6° degrees in angle for each press.



NOTE

When the louver swing is moved to a position which would affect the cooling or heating operation of the air conditioner, it will automatically change the direction.

TIMER OPERATION:

Pressing the TIMER ON button will set the Auto-on time of the unit. And pressing TIMER OFF will set the Auto-off time.

■ TO SET THE AUTO-ON TIME.

- 1 Press the TIMER ON button. The TIMER ON appears, the last Auto-on setting time and the letter "h" will show on the LCD. The new time may be entered.

- 2 Press the TIMER ON button again to set the desired Auto-on time. Each time you press the button, the time increases in 30 minutes increments up to 10 hours, then at 1 hour increments up to 24 hours.
- 3 After setting the TIMER ON, there will be a half second delay before the remote control transmits the signal to the indoor unit. Two seconds after that, the letter "h" will disappear and the set temperature will re-appear on the LCD.

■ **TO SET THE AUTO-OFF TIME:**

- 1 Press the TIMER OFF button. The TIMER OFF appears, the last Auto-off setting time and the letter "h" will show on the LCD. The new time may be entered.
- 2 Press the TIMER OFF button again to set the desired Auto-off time. Each time you press the button, the time increases in 30 minutes increments up to 10 hours, then at 1 hour increments up to 24 hours.
- 3 After setting the TIMER OFF, there will be a half second delay before the remote control transmits the signal to the indoor unit. Two seconds after that, the letter "h" will disappear and the set temperature will re-appear on the LCD.



NOTE

The correct operation of the timer is limited to the correct placement of any of the following parameters: 0.5, 1.0, 1.5, 2.0, 2.5, 3.0, 3.5, 4.0, 4.5, 5.0, 5.5, 6.0, 6.5, 7.0, 7.5, 8.0, 8.5, 9.0, 10, 11, 12, 13, 14, 15, 16, 17, 18, 19, 20, 21, 22, 23 and 24

TIMER EXAMPLE:

Power ON (TIMER ON):

The automatic ignition is used when you want to turn on the machine after a specified time.

If you want your machine starts in 6 hours:

- 1 Press the TIMER ON button, the last scheduled time and the letter "h" will appear on the screen.
- 2 Press the TIMER ON button to display "6.0H" on the screen.
- 3 After 3 seconds, the display will show the temperature again. And is currently scheduled automatic start.

POWER OFF (TIMER OFF):

Use this function when you want the machine to turn off automatically after some time of operation.

If you want your computer to turn off after 10 hours:

- 1 Press the TIMER OFF button, the last scheduled time and the letter "h" will appear on the screen.
- 2 Press the TIMER OFF button to display "10h" on the screen.
- 3 After 3 seconds, the display will show the temperature again. And is currently scheduled automatic shutdown.

■ COMBINED TIMER

(Setting both ON and OFF timers simultaneously)

TIMER OFF TIMER ON
(ON → OFF → ON)

- **This feature will arrange an ON/OFF cycle of your air conditioner.**
Example:

To STOP the air conditioner 2 hours after setting and START again 10 hours after:

- 1 Press the TIMER OFF button.
- 2 Press the TIMER OFF button again to display 2.0h.
- 3 Press the TIMER ON button.
- 4 Press the TIMER ON button again to display 10h.
- 5 Wait for the confirmation when the remote displays the temperature setting.

TIMER ON TIMER OFF
(OFF → ON → OFF)

This feature will arrange an **ON/OFF** cycle of your air conditioner.

Example:

To START the air conditioner 2 hours after setting and STOP 5 hours after:

- 1 Press the TIMER ON button.
- 2 Press the TIMER ON button again to display 2.0h
- 3 Press the TIMER OFF button.
- 4 Press the TIMER OFF button again to display 5h
- 5 Wait for the confirmation when the remote displays the temperature setting.



CAUTION

The timer setting (TIMER ON or TIMER OFF) that is in sequence directly after the set time will be activated first.

ECO OPERATION:

The ECO function enables the unit to automatically increase (COOL) or decrease (HEAT, if applicable) 1 degree Celsius per hour for the first 2 hours, the temperature remains for 5 hours and then the unit will stop. This maintains a comfortable temperature and saves energy.



NOTE

ECO function is only available under Cooling, Heating and AUTO operation.

